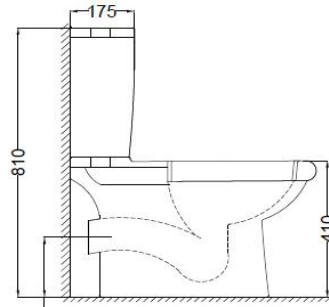
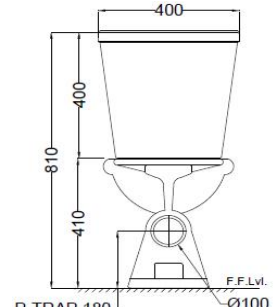


TOP VIEW



SIDE VIEW



BACK VIEW

General Information

Product Code	CMS-WHT-103751P180SPP + CMS-WHT-103201
Brand	Essco
Colour	White
Type	Coupled WC (P-Trap)
Material	Ceramic-Vitreous China (VC)

Product Specification

Product Dimension	400x665x810 mm
Bowl Opening (Inner Dimension)	275x345 mm
Product Net Weight	32.3 Kg
Product Gross Weight	43.2 Kg
Packaging Dimension	680x450x435 mm
Outlet	Horizontal
Trap Distance	P Trap - 180 mm
Outlet Hole Dimension	External diameter of outlet hole dia. $\varnothing 100 \pm 5$ mm z e
Product Feature	Beautiful Design ,Complete Trap Glaze, Combined Packing PP Soft Close Slim Seat Cover with Accessories Dual Flushing - 3/6 LPF, Anti germ glaze. Material - Vitreous China (VC)

ACCESSORIES PROVIDED

Seat Cover	CMS-WHT-101S
Floor fixing screw	ZPS-SNS-FB01
Cistern	CMS-WHT-103201C
Cistern Fittings	ZCF-WHT-FT003

CARE AND CLEANING GUIDELINES

- Vitreous china sanitary ware products are fragile in nature and need to be handled with care (to avoid personal injury) at all times during its storage, handling, installation and use thereafter.
- The product is heavy and it is recommended that two persons hold it while it is being fixed.
- Carefully inspect the new product for damage before installation.
- Risk of product damage. Over tightening may cause breakage or chipping of vitreous china.
- Risk of external leakage. Do not lift or rock the bowl after placement.
- Always test your cleaning solution on an inconspicuous area on the product before applying it to the entire surface.
- Do not allow cleaners to sit or soak on the product.
- Use a soft, dampened sponge or cloth to clean. Never use abrasive material like a bristle brush or scouring pad.
- Wipe surfaces clean and rinse completely with water immediately after applying cleaners.
- Clean Chrome, stainless steel surfaces once a week. Do not use cleaners containing chloride on chrome, stainless steel. If used, rinse the surface immediately to prevent corrosion.
- Wherever chrome plating is used on the products, use only warm water to clean and then dry with a soft cloth.

ACCESSORIES RECOMMENDATION

QUALITY MANAGEMENT SYSTEM - ISO 9001



DISCLAIMER: Our every effort has been made to ensure factual accuracy, the information presented subject to changes due to requirements in different sites, markets and/ or countries. All dimensions are in mm (Tolerance ± 5 MM). Jaquar reserves the right to make the necessary amendments at any time without prior notice.

For Installation Refer Actual Product